

# LED VISUAL SIGNAL LIGHT - Hazardous Location



ETL Listed in compliance with UL 1598 and UL 844 for use in Class I, Div 2 Hazardous Locations



## FEATURES / BENEFITS

- Suitable for all Class I, Div. 2, Groups A, B, C, D hazardous environments, T4 rated
- Inherent safety capability; low electrical/thermal energy and high light output
- Unique optically designed lens to enhance LED operation and provide 360° visibility
- Weather/corrosion resistant lamp assembly and housing
- Self-contained wiring compartment eliminates additional boxes
- Available as a single or dual unit
- Resistant to shock and vibration
- Threaded 1" and ¾" bottom hub for mounting
- Can be operated steady or flashed
- Estimated service life 12-15 years
- 5 year warranty
- IP65 / IP66 / NEMA 4X rated

## APPLICATION

The Visual Signal Light is an LED based Class I Division 2 certified fixture. Used for visual indication in hazardous environments, these fixtures provide a valuable solution to the petrochemical industry as well as other facilities in demanding and dangerous environments.

## OPERATING CONDITIONS

Temperatures ranging from -67° F to +131° F (-55° C to +55° C). It will withstand wind in excess of 150 mph (240 kph), salt fog.

## MATERIALS / FINISH

- Cast Aluminum housing
- Stainless steel hardware
- Electrostatically applied powdercoat of aviation orange paint

## ORDERING INFORMATION

<i>Single Units</i>	
PART NUMBER	COLOR
860-2R0X-001	Red
860-2G0X-001	Green
860-2Y0X-001	Yellow (Amber)
860-2B0X-001	Blue
860-2W0X-001	White

Note: X indicates voltage input (See Voltage Chart)

<i>Input Voltage Chart</i>	
X = 1	120 VAC
X = 2	230 VAC

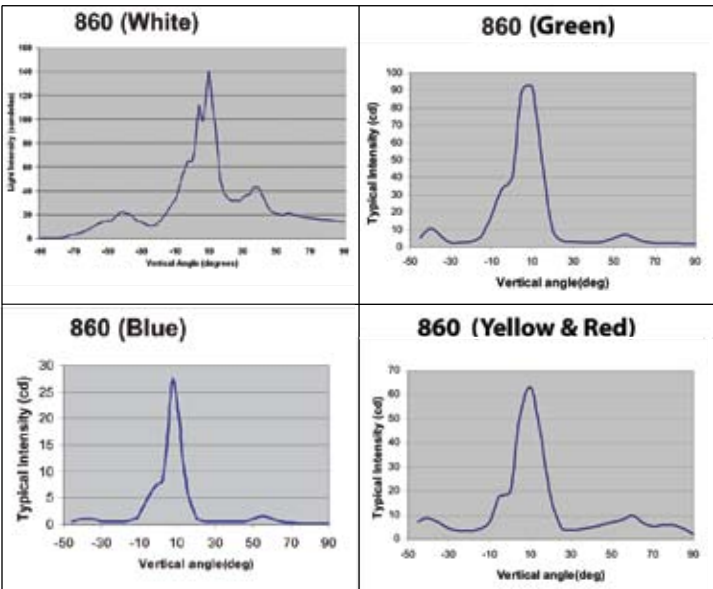
<i>Dual Units</i>	
PART NUMBER	COLOR
860-2R0X-002	Red
860-2G0X-002	Green
860-2Y0X-002	Yellow (Amber)
860-2B0X-002	Blue
860-2W0X-002	White

Note: X indicates voltage input (See Voltage Chart)

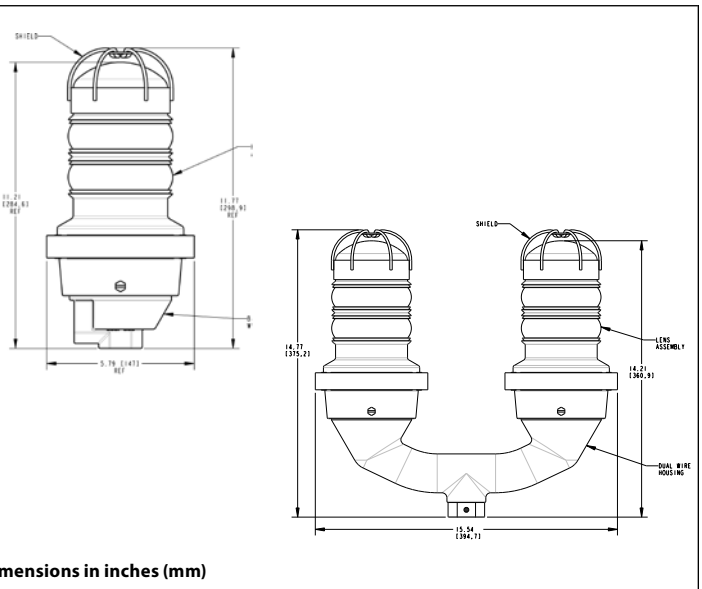
<i>Replacement Light Assemblies</i>	
PART NUMBER	COLOR
860-2R0X	Single, Red
860-2G0X	Single, Green
860-2Y0X	Single, Yellow (Amber)
860-2B0X	Single, Blue
860-2W0X	Single, White

Note: X indicates voltage input (See Voltage Chart)

**PHOTOMETRIC DATA**



**MECHANICAL DIMENSIONS**



**WEIGHTS & MEASUREMENTS**

MODEL	SHIPPING WEIGHT	CONTAINER DIMENSIONS
Single Unit	7.14 lbs	16" x 9" x 8"
Dual Unit	16.06 lbs	22" x 17" x 9"

**ELECTRICAL SPECIFICATIONS**

	VA	OPERATING VOLTAGE			WATTS		AMPS
		MIN	TYP	MAX	TYP	MAX	
120 VAC Units	47	92	120	132	15	18	0.120
240 VAC Units	74	198	240	265	15	18	0.120