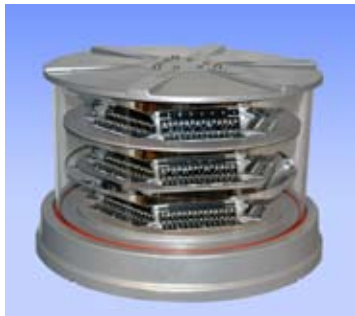


# LED DUAL RED/WHITE BEACON; LED WHITE BEACON (ICAO) *Medium Intensity*



**Compliant to:** ICAO  
(Annex 14 - Fourth Edition, July 2004)

## FEATURES / BENEFITS

- 20,000 cd nominal daytime white and three nighttime modes; 2,000 cd white, 2,000 cd red or 170 cd red
- Capable of 10%, 30% or 100% intensity settings
- Designed to replace Dual Xenon Strobe Units, Medium Intensity Type A/B
- Resistant to shock and vibration
- Universal 100/240 VAC input; 50/60 Hz or 24 VDC
- Can be controlled and monitored by Unimar obstruction lighting control system
- Eliminates high voltage parts and issues associated with traditional strobes
- Dramatically reduces cable sizing requirements
- Innovative Temperature Management System (TMS) to ensure longevity of LEDs
- Meets or exceeds industry EMI/RFI standards
- IP 66 / NEMA 4X rated

## APPLICATION

The dual beacon is the first production medium intensity Red/White beacon, utilizing state-of-the-art optics. With the use of a simple controller, the beacon provides over 20,000 cd white for daytime use and has the following three night modes; 2,000 cd white, 2,000 cd red or 170 cd red. Its advanced passive temperature management system maintains the LEDs well within their temperature tolerance in all operating conditions. The beacon has a microprocessor controlled driver and a default flash mode if it loses communication with the controller.

## SPECIFICATIONS

**Operating Voltage:**

100 to 240 VAC, 50 - 60 Hz or 24 VDC

**Lightsource:** LEDs > 10+ year life expectancy

**Effective Intensity:**

- 20,000 cd white ± 25% in daytime mode
- 2,000 cd white ± 25% in nighttime mode
- 2,000 cd or 170 cd red ± 25% in nighttime mode

**Operating Temperature:** -40° C to +55° C

**Storage Temperature:** -55° C to +55° C

**Surge / Lightning Protection:** Designed to withstand IEC61000-4-5, 6kV/3000A, 1.2/50us, 8/20us, 2 ohm output impedance, combination wave, line-line and line-ground minimums

**Flash Rate:** 20 fpm

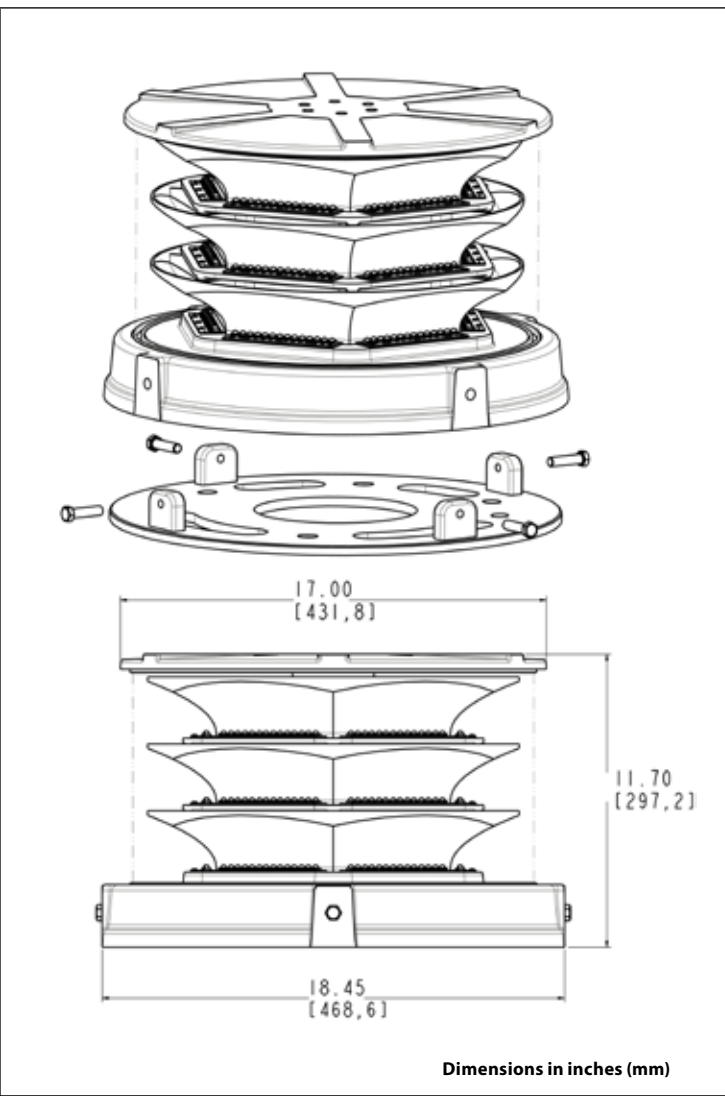
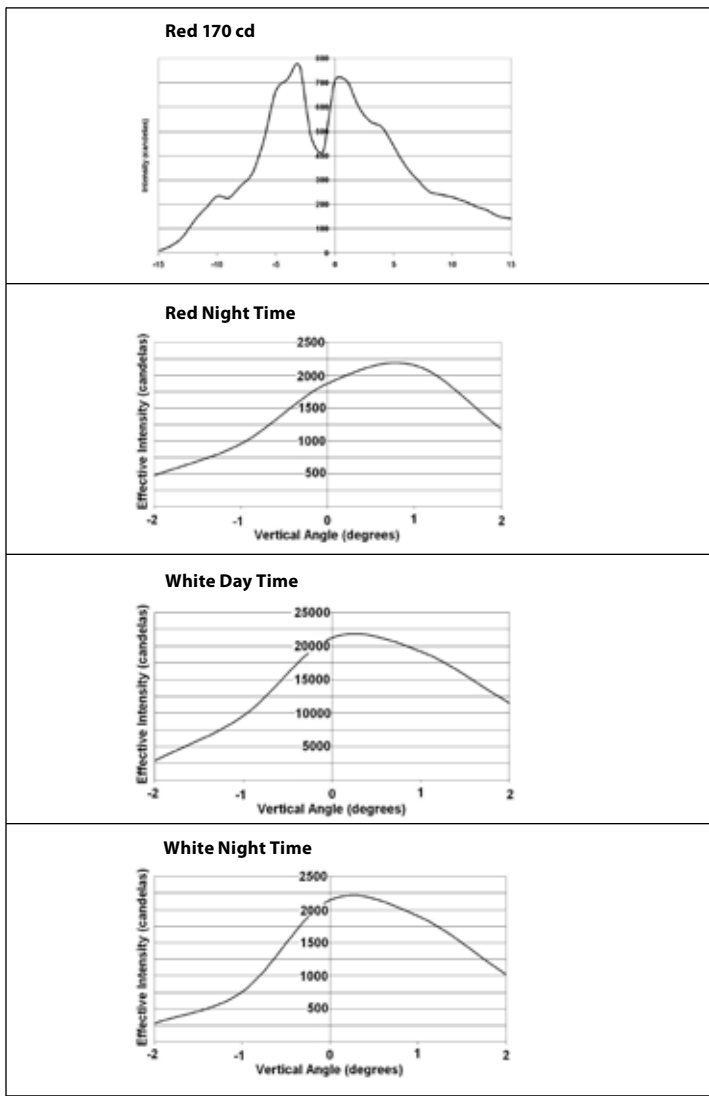


## ORDERING INFORMATION

PART NUMBER	DESCRIPTION	VOLTAGE
D1RW-C13-006-EU	Dual Red / White Beacon (ICAO)	120/240 VAC
D1RW-G13-006-EU	Dual Red / White Beacon; 170 cd red (ICAO)	120/240 VAC
D1RW-C15-006-EU	Dual Red / White Beacon (ICAO)	24 VDC
D1RW-G15-006-EU	Dual Red / White Beacon; 170 cd red (ICAO)	24 VDC
9802-014	Flashhead Cable	N/A

PHOTOMETRIC DATA

MECHANICAL DIMENSIONS



WEIGHTS

PART	WEIGHT
Flash Head	Approximately 20 Kg (44 lbs)

UNIT ELECTRICAL SPECIFICATIONS

	WATTS			SUPPLY VOLTAGE (± 15%)		VOLT AMPS (VA)		
	MIN	NOM	MAX	MIN	MAX	MIN	NOM	MAX
White (20 fpm) VAC	80	92	100	100	240	89	102	111
White (20 fpm) VDC	89	103	111	24				
White (20 fpm 2,000 cd) VAC	40	45	50	100	240	45	50	56
White (20 fpm 2,000 cd) VDC	45	52	58	24				
Red (Steady burning 170 cd) VAC	49	60	65	100	240	55	67	72
Red (Steady burning 170 cd) VDC	54	67	73	24				