



SYSTEM COMPONENTS

- System Controller 8364
- Photoelectric Control PEC 8014
- Flashhead FH 8400
- Power Converter PC 8440 / PC 8460

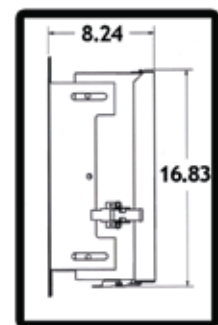
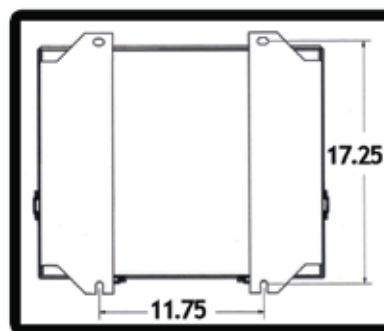
*ETL Certified; Compliant to:
FAA AC150/5345-43F Types L-856 and L-857*

GENERAL / APPLICATION

The Skytec 8000 series high intensity obstruction lighting system provides a salient beam of light for unparalleled marking of tall structures, per FAA AC-7460-1K, including towers, chimneys, stacks, bridges, wind turbines, buildings and antennas. More than 25 years of servicing and engineering expertise have gone into designing the 8000 series lighting as one of the most reliable and serviceable systems ever built. The unique pulse forming network yields extended life for all strobe components. Laser cut optics provide a precise, efficient beam of light, highly visible to pilots, with minimal ground scatter.

SYSTEM CONTROLLER 8364

- Fulltime LED display of all beacons and status (no menus)
- Alarm contacts for all beacon status and functions for remote monitoring
- Built-in memory to recall single miss flash events
- Dual PEC inputs provide for back-up photocell
- Front panel test ports
- Easy, one dial control
- 7 lbs



PHOTOELECTRIC CONTROL PEC 8014



- Dual PEC Twi/Nite operation
- 4 Pin meter base socket
- Built-in halo sunshield for extended PEC life
- Field programmable for multiple applications

FLASHHEAD FH 8400

- Integral low voltage safety interlock
- Remote mounting up to 250 ft from PC
- Photometrics:

L-856	Day	270,000 cd ± 25%
	Twi	20,000 cd ± 25%
	Nite	2,000 cd ± 25%
L-857	Day	140,000 cd ± 25%
	Twi	20,000 cd ± 25%
	Nite	2,000 cd ± 25%

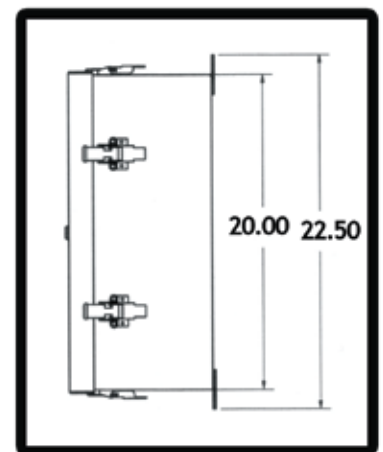
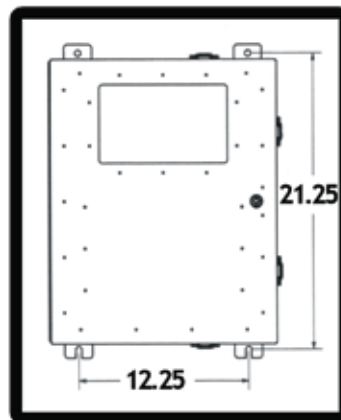
- 3° vertical beam
- 120° horizontal beam



POWER CONVERTER PC 8440 / PC 8460



- PC 8440 L-856 40 flashes/min
- PC 8460 L-857 60 flashes/min
- Input 120/240/480 VAC 60Hz
- 600 VA Peak



OPTIONS

- Installation Kits
- Mounting Brackets
- Interconnect Cable

NOTE: Flashhead and power supply enclosures are 304 stainless steel with 1/4" laminated safety glass - NO plastic lenses - NEMA 4X design